



ONLINE DOUBLE CONVERSION SINE-WAVE UPS

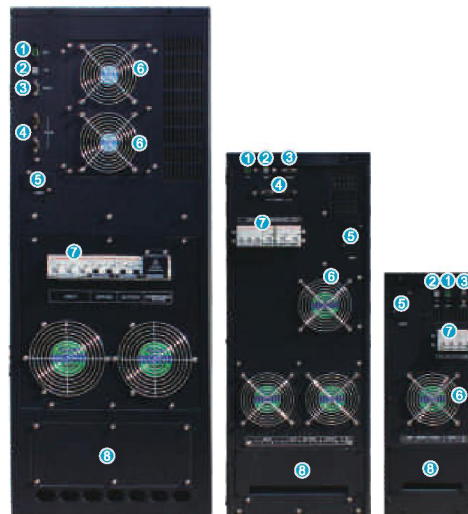
GS 9XX-LF Series from 6kVA to 30kVA

6KVA ~ 10KVA (1:1)
10KVA ~ 30KVA (3:1)



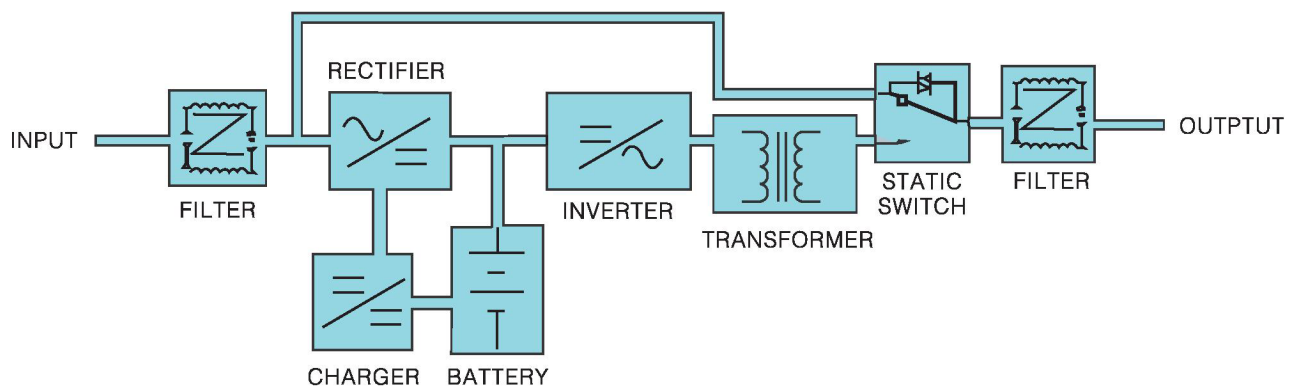
Features

- Single / single-phase, three / single-phase models with on-line double conversion technology
- DSP (Digital Signal Processors) technology
- Suitable for all kinds of loads (resistive, inductive and non-linear loads etc)
- High overload capability (up to 150%)
- Bypass dual DSP control design to enhance more reliability
- Supports dual input, hot standby in series
- Redundant & parallelable with advanced parallel current-sharing control technology
- Cold start and mains start function
- High charging capability: 2 A / 4 A / 6 A / 8 A / 10 A / 12 A selectable (standard), 14 A / 16 A / 18 A / 20 A / 22 A / 24 A selectable (options)
- Standard configuration with output isolation transformer
- Superior protection (surgers, short-circuit, overvoltages, undervoltages, overcharge, reverse connection protection etc)
- Advanced communications (RS232 and USB ports (standard), SNMP, dry contacts and RS485 (options)
- Other options (parallel kits, input isolation transformer, bypass isolation transformer and harmonic suppressor)



Rear Panel

1. EPO
2. USB
3. RS232
4. Parallel port
5. SNMP (optional)
6. Fan
7. Breaker
8. Terminal



Online Transformer Base UPS

Specifications

MODEL	GS906-LF (1:1)	GS910-LF (1:1)	GS910-LF (3:1)	GS915-LF (3:1)	GS920-LF (3:1)	GS930-LF (3:1)
Capacity	6 KVA 4800 W	10 KVA 8 KW	10 KVA 8 KW	15 KVA 12 KW	20 KVA 16 KW	30 KVA 24 KW
INPUT						
Rated voltage	220 / 230 / 240 Vac (1 ϕ + N + PE)		380 / 400 / 415 Vac (3 ϕ + N + PE)			
Voltage range	165 ~ 275 Vac		285 ~ 475 Vac			
Rated frequency	50 Hz / 60 Hz					
Frequency range	40 ~ 70 Hz					
Frequency tracking range	\pm 5% Hz					
BYPASS						
Rated voltage	220 / 230 / 240 Vac (1 ϕ + N + PE)					
Overload capability	Load current < 150% rated current: long time running 150% \leq load current < 200%: 1 min 200% rated current \leq load current: 200 ms					
BATTERIES						
Battery voltage	192 Vdc					
Battery type	Sealed Lead Acid Rechargeable Battery					
Number of battery	12 V \times 16 pcs					
Charging voltage	220 Vdc					
EOD	168 Vdc					
Charging current	Default 8 A (2 A / 4 A / 6 A / 8 A / 10 A / 12 A selectable)					
OUTPUT						
Rated voltage	220 / 230 / 240 (1 ϕ + N + PE)					
Power factor	0.8					
Waveform	Sinusoidal					
Rated frequency	50 Hz / 60 Hz (settable)					
Frequency precision	Mains mode: track bypass input in the state of synchronization Battery mode: 50 / 60 \pm 0.1 Hz					
Voltage precision	\pm 1%					
Recovery time of transient voltage	< 20 ms					
Crest factor	3:1					
THDV	\leq 3% (linear load); \leq 6% (non-linear load)					
Overload capability	Load \leq 105%: long time running ; 105% < load \leq 125%: transfer to bypass in 10 mins ; 125% < load \leq 150%: transfer to bypass in 1 min 150% < load \leq 200%: transfer to bypass in 200 ms 200% < load: transfer to bypass in 100 ms					
OTHERS						
Transfer time	0 ms					
Protections	Short-circuit – overload – overvoltage – undervoltage – low battery – overtemperature					
Communications	RS232 / USB (standard); RS485 / SNMP / dry contacts (optional)					
Operating temperature	0 ~ 40°C					
Storage temperature	-25°C ~ 55°C (without batteries);					
Relative humidity	0 ~ 95% (non-condensing)					
Operating altitude	\leq 1000 m (derating 1% for each additional 100 m)					
Noise level	< 60 dB (at 1 m)					
MTBF	MTBF > 200000 h					
MTTR	MTTR < 0.5 h					
IP rating	IP20					
Dimensions (W \times D \times H) (mm)	210 \times 585 \times 590	310 \times 600 \times 880		400 \times 815 \times 1100		
Packaged dimensions (W \times D \times H) (mm)	328 \times 716 \times 805	430 \times 710 \times 1080		525 \times 925 \times 1305		
Net weight (kg)	54	96	130	201	230	277
Gross weight (kg)	64	108	142	216	245	292

- All specifications subject to change without notice.
- Custom-made specifications are acceptable.